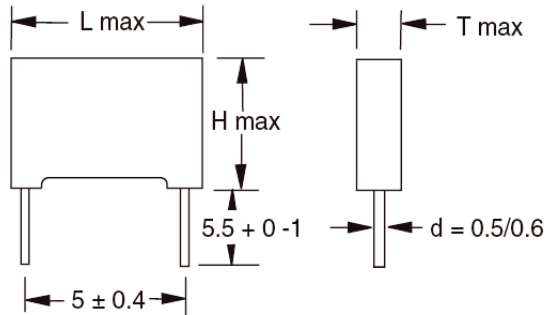


METALLIZED POLYESTER, POLYETHYLENE TEREPHTHALATE (PET) NON-INDUCTIVE, MINIATURE SIZE, PLASTIC CASE

p= 5.0mm



FEATURES

- Miniature size and light weight.
- 5mm lead spacing for automatic insertion.

SPECIFICATIONS

Performance Characteristics	
Operating Temperature Range	-40°C ~ +85°C with voltage derating of 1.5%/°C between 85°C & 105°C.
Voltage Range	50/63, 100, 250, & 400VDC.
Withstanding Voltage (between leads) (25°C ± 5°C)	1.6 times rated voltage for 2 seconds.
Capacitance Range	0.001µF ~ 1µF @ <63VDC. 0.001µF ~ 0.22µF @ >63VDC.
Capacitance Tolerance	±5%, ±10%, & ±20%.
Maximum Dissipation Factor % (25°C, 1KHz)	1.0%.
Minimum Insulation Resistance (25°C)	15000MΩ (C < 0.33µF). 5000MΩ x µF (C ≥ 0.33µF).

PART NUMBERING

Part Number Example: 9245-250/104KF						
9245	-	250	/	104	K	F
Type		Rated DC Voltage		Capacitance Code (pF)*	Tolerance Code	RoHs Compliant
* Capacitance Code: First two digits represent significant figures, third digit represents multiplier (number of zeros).						

Cap. (µF)	50/63VVDC			100VVDC			250VVDC			400VVDC		
	L	T	H	L	T	H	L	T	H	L	T	H
0.001	7.2	2.5	6.5	7.2	2.5	6.5	7.2	2.5	6.5	7.2	2.5	6.5
0.0015	7.2	2.5	6.5	7.2	2.5	6.5	7.2	2.5	6.5	7.2	2.5	6.5
0.0022	7.2	2.5	6.5	7.2	2.5	6.5	7.2	2.5	6.5	7.2	2.5	6.5
0.0033	7.2	2.5	6.5	7.2	2.5	6.5	7.2	2.5	6.5	7.2	2.5	6.5
0.0047	7.2	2.5	6.5	7.2	2.5	6.5	7.2	2.5	6.5	7.2	2.5	6.5
0.0068	7.2	2.5	6.5	7.2	2.5	6.5	7.2	3.5	7.5	7.2	3.5	7.5
0.01	7.2	2.5	6.5	7.2	2.5	6.5	7.2	3.5	7.5	7.2	3.5	7.5
0.015	7.2	2.5	6.5	7.2	2.5	6.5	7.2	3.5	7.5	7.2	4.5	9.5
0.022	7.2	2.5	6.5	7.2	2.5	6.5	7.2	3.5	7.5	7.2	4.5	9.5
0.033	7.2	2.5	6.5	7.2	2.5	6.5	7.2	4.5	9.5	7.2	6.0	11.0
0.047	7.2	2.5	6.5	7.2	2.5	6.5	7.2	4.5	9.5	7.2	6.0	11.0
0.068	7.2	2.5	6.5	7.2	2.5	6.5	7.2	4.5	9.5			
0.10	7.2	2.5	6.5	7.2	3.5	7.5	7.2	6.0	11.0			
0.15	7.2	3.5	7.5	7.2	4.5	9.5	7.2	6.0	11.0			
0.22	7.2	3.5	7.5	7.2	4.5	9.5						
0.33	7.2	4.5	9.5	7.2	4.5	9.5						
0.47	7.2	4.5	9.5	7.2	6.0	11.0						
0.68	7.2	6.0	11.0	7.2	6.0	11.0						
1.0	7.2	6.0	11.0	7.2	6.0	11.0						